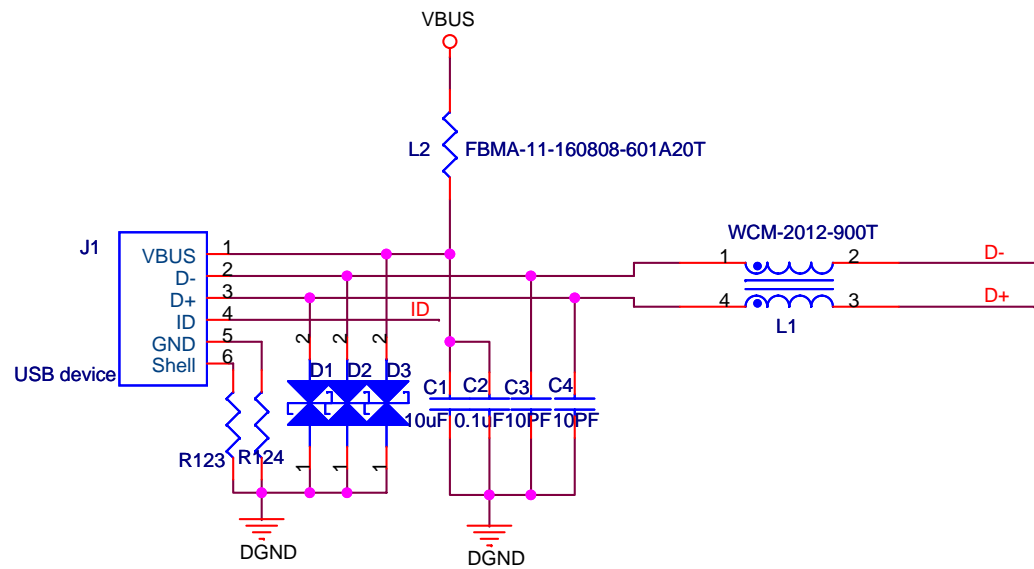


备注:

- 1. ID 网络根据IC 来决定接地or接IC
- 2. C3/C4根据测试结果来调试, 建议不要大于10PF



一站式电磁兼容 (EMC) 方案供应商

电话: 钟凯13632524150; 0755-26532285

邮箱: kai.zhong@compon-tech.com

Title		
USB Device EMC设计标准电路		
Size A	Document Number	Rev 1.0
Compon20110322-22		
Date:	Wednesday, October 26, 2011	Sheet 1 of 1